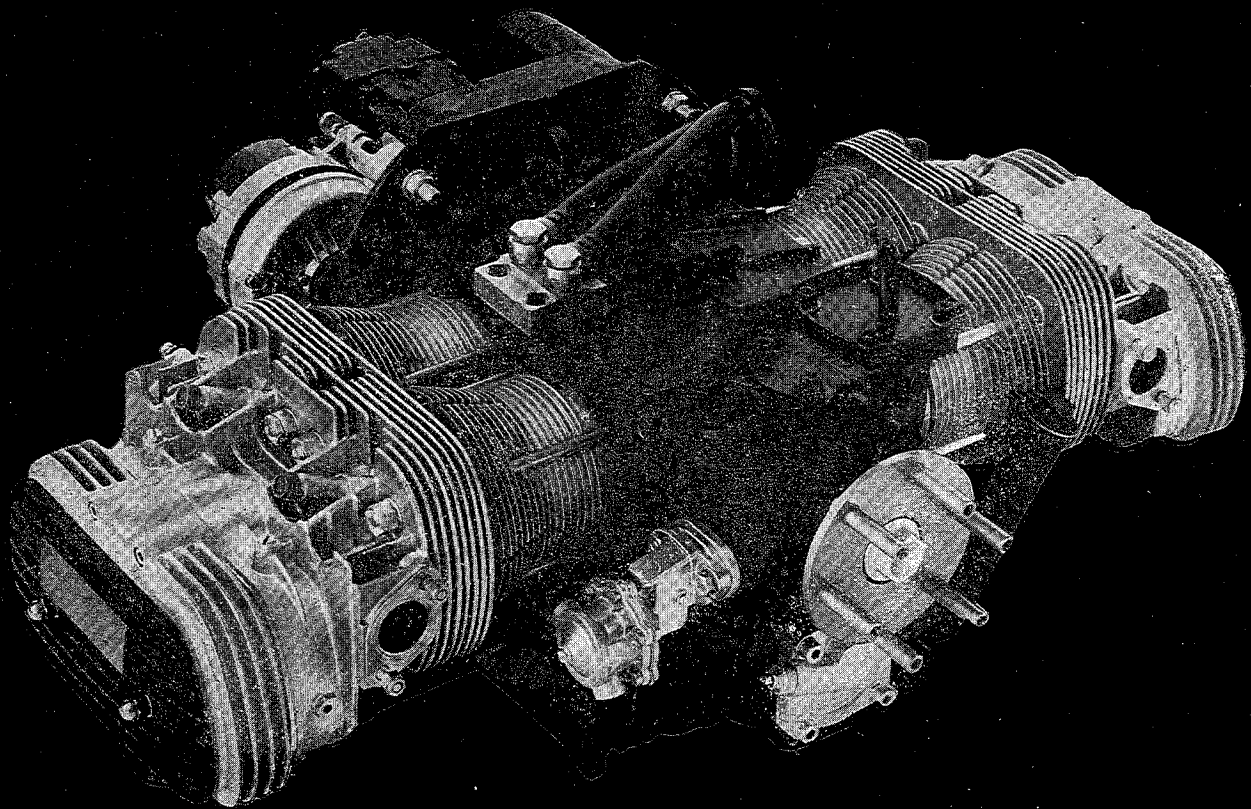


# Limbach

M O T O R E N B A U  
A I R C R A F T - E N G I N E S



**sicher**

safe

**zuverlässig**

reliable

**sportlich**

sporting

**sparsam**

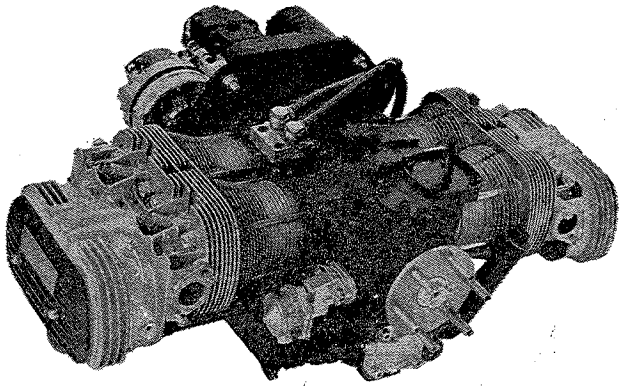
economical

**Flugmotore für Flugzeuge der Klassen**

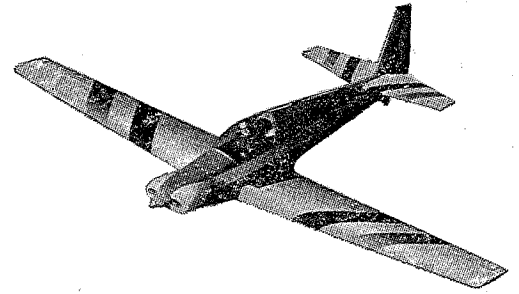
**Motorsegler und Leichtflugzeuge**

Aircraft-engines for motorized gliders and light aircraft

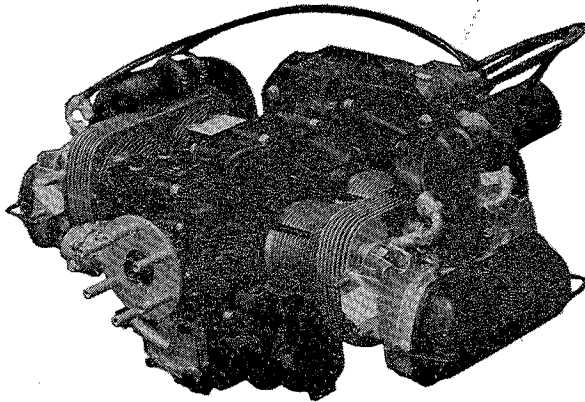
# Limbach - Aircraft-engines are original equipment on these aircraft



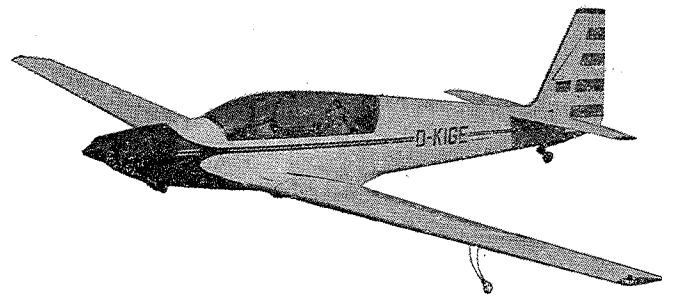
**Limbach SL 1700 D**, 65 HP at 3600 RPM  
double-ignition



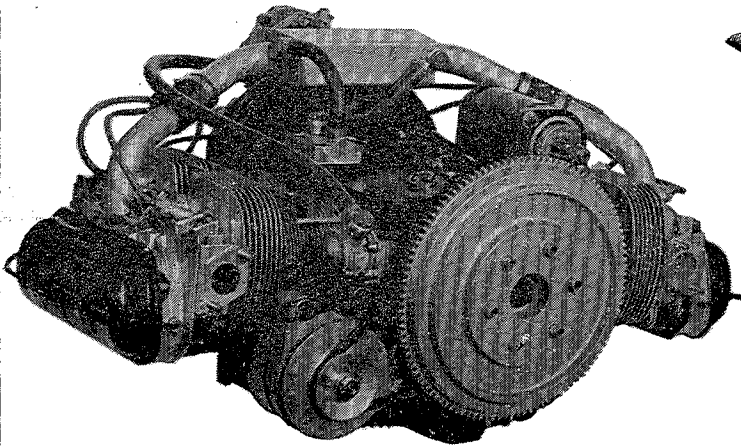
**RF 7** Manufacturer: Sportavia Pützer GmbH & Co. KG  
Top speed 250 km/h, cruising speed 210 km/h, rate of climb 5 m/sec,  
consumption 8-10 liters/hour



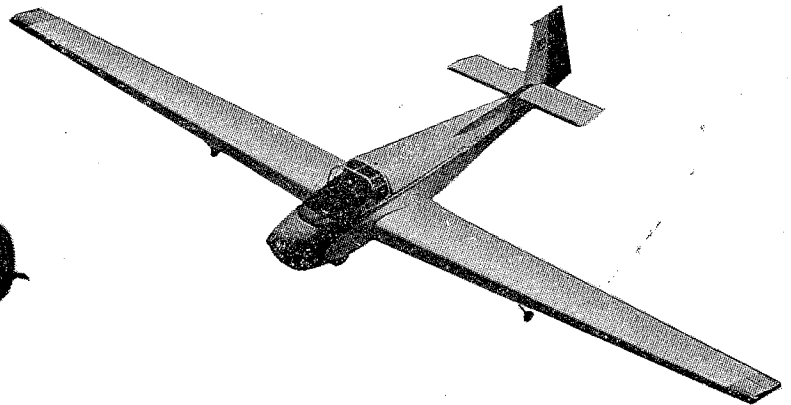
**Sportavia-Limbach SL 1700 E**  
68 HP at 3600 RPM



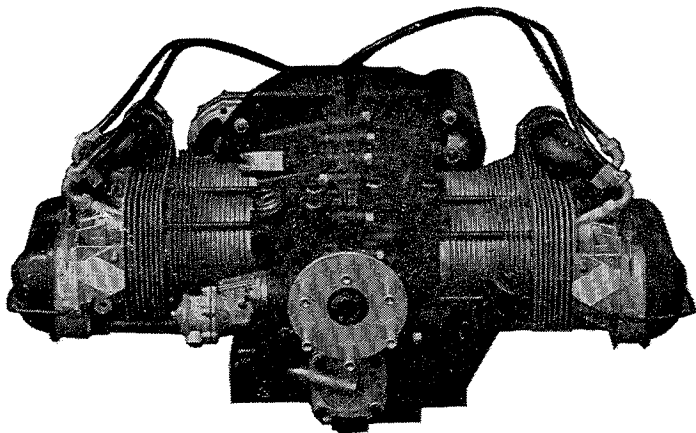
**RF 5 u.** Manufacturer: Sportavia Pützer GmbH & Co. KG  
**RF 5 B** Top speed 250/230 km/h, cruising speed 180/160 km/h,  
consumption 8-10 liters/hour



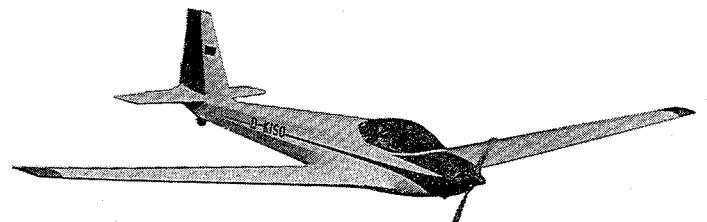
**Limbach SL 1700 EA**, 60 HP at 3550 RPM



**SF 25 C Falke**  
Manufacturer: Scheibe Flugzeugbau GmbH  
Top speed 180 km/h, cruising speed 160 km/h,  
rate of climb 2.3 m/s, consumption 7-9 l/hour



**Limbach SL 1700 EB**, 72 HP at 3600 RPM



**ASK 16** Manufacturer: Alexander Schleicher Flugzeugbau  
Top speed 180 km/h, cruising speed 160 km/h, rate of climb 2.5 m/s  
consumption 10-12 l/hour